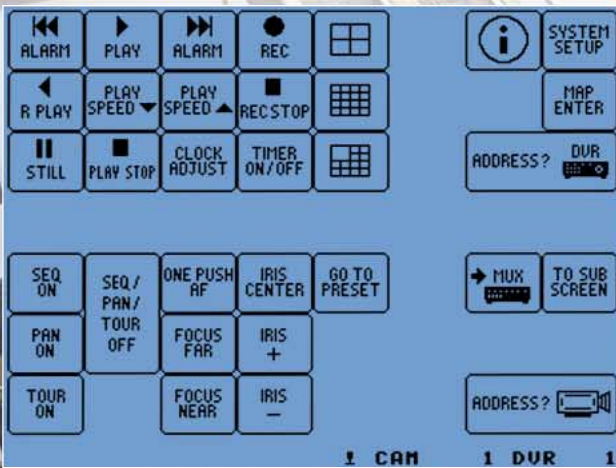


SSP System Controller

VSP-9000

- Control system supporting SSP devices and multiple protocols
- Backlit LCD with integrated touch screen
- Telemetry control (pan/tilt/zoom) via 3-axis joystick
- Customization of up to 26 user maps
- 40 freely configurable macro function keys for each map



Intuitive operation with integral touch screen



3-Axis Joystick

VSP-9000

Linking a whole host of security devices for user-friendly, fingertip control

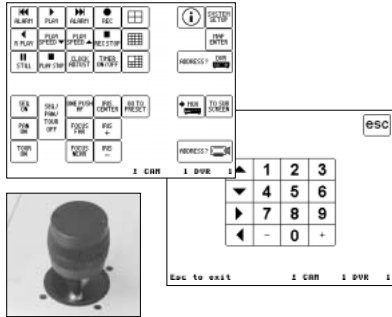
Main Features

Centralized control of vast range devices from a single controller

The VSP-9000 controller enables centralized control of up to 254 cameras and 100 multiplexers and DVRs using SANYO's Security Serial Protocol (SSP) and other brand name protocols*. The VSP-9000 simplifies the operation of today's increasingly complex medium- to large-scale security systems. *Please consult a SANYO supplier for details on supported protocols.

Fingertip control with built-in touch screen and 3-axis joystick

The 320 x 240 LCD screen features an integrated touch screen and GUI for intuitive, user-friendly system setup and operation that's as easy as pressing the on-screen menu buttons. Added to this is the built-in 3-axis joystick that places telemetry control of remote PTZ dome cameras, DVRs and other controller-linked system elements at your fingertips.



26 customizable user maps with 40 macro function keys each

Enabling control of a total of 254 cameras, multiplexers, and digital video recorders, the VSP-9000 simplifies the operation of today's increasingly complex medium- to large-scale security systems with an LCD touch panel and up to 26 customizable user maps. Each map is allotted 40 freely configurable macro function keys which allow the operator to control individual devices by assigning an address to each device.

* Menus and submenus can be set by pressing the keys represented by the icons.

* User maps can easily be designed by PC GUI and uploaded on the keyboard through RS-232C

6 password levels

The VSP-9000 facilitates a multi-level security setting according to the access level of the user.

Control system supporting SSP devices and multiple protocols

Supports not only SSP, but also the RS-422 standard to facilitate control of other major brand devices.

Realize enhanced effectiveness in your security environment

The SSP control system forms a state-of-the-art security environment that utilizes existing surveillance cameras and recording devices by effectively combining a multifunction VSP-9000 controller and VSP-CB10 modulators supporting SSP for RS-485 communications. A system linking cameras, multiplexers and other elements to enable user-friendly, fingertip control of up to 254 devices from a single controller. See SSP Compatible Devices below for information on the SPP product lineup.

SSP Compatible Devices

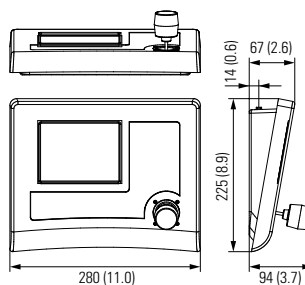
SSP System Unit	Recorders	Cameras
VSP-CB10 Signal Converter	DSR-M810 1ch Digital Video Recorder	VCC-9300 PTZ Color Camera
VSP-RV200 PTZ Receiver	DSR-M814 4ch Digital Video Recorder	VCC-9400 PTZ Day/Night Camera
	DSR-3009 9ch Digital Video Recorder	VCC-9000 PTZ Color Camera
	DSR-3016 16ch Digital Video Recorder	VCC-9100 PTZ Day/Night Camera
	DSR-3709 9ch Digital Video Recorder	VCC-ZM300A Color AF Zoom Camera
	DSR-3716 16ch Digital Video Recorder	VCC-ZM400 Day/Night AF Zoom Camera
	DSR-5016 16ch Digital Video Recorder	
	DSR-300 with Optional Communication Board	

Specifications

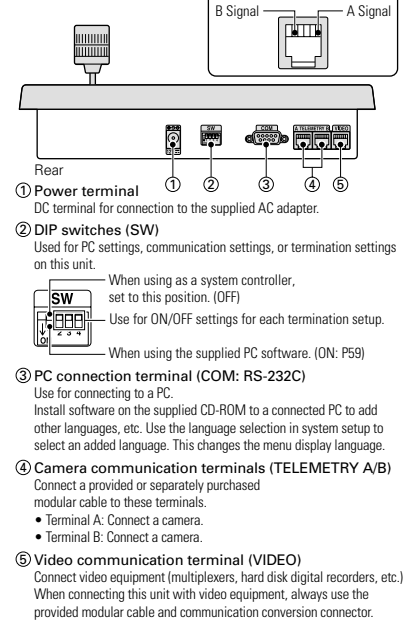
Model No.	VSP-9000	
Communication method	RS-485, RS-422, RS-232C	
Graphic display	320 x 240 pixels, backlight by white LED	
Communication speed	2400, 4800, 9600, 19200 bps	
Control terminals	RJ-11 x 3 (RS-485: one for DVR/Multiplexer, two for Cameras) D-SUB 9-pin x 1 (RS-232C: for PC)	
No. of connectable devices	Total: 256 devices can be connectable in a system • Controllers: Max. 5 • DVRs/Multiplexers: Max. 100 via VIDEO terminal • Cameras: Max. 127 via TELEMETRY A port Max. 127 via TELEMETRY B port	
No. of user maps	26 maps, 40 keys for each map	
Protocols	PTZ Dome Cameras: SANYO, Videotec, Pelco-D, Sensormatic/ American Dynamics, VCL DVRs/Multiplexers: SANYO, Videotec Video matrix switchers: Videotec	
Menu languages	English, French, German, Italian (expandable to 12 languages using bundled software)	
Operating conditions	Temperature: 5°C - 40°C Humidity: 80% or less	
Power source	12V DC, 1000 mA	
Dimensions	Main body: 280 x 94 x 225 mm [11.0" x 3.7" x 8.9"] (w/ 3-axis proportional joystick) Graphic display: 115 x 86 mm [4.5" x 3.4"]	
Weight	900 g [1.98 lbs.]	
Accessories	AC Adaptor x 1, Power cable x 3 (for USA, UK & Continental Europe), RS-232C cable x 1, Telephone cable x 6, RJ jack shunt boxes x 6, Setup software (CD-ROM)	

NOTE: Specifications subject to change without notice.

Dimensions [Unit: mm (inch)]



Part Names



Caution: Please consult the instruction manual to ensure safe and proper operation of the product.



DI Company of Sanyo Electric Co., Ltd.
obtained Quality Management System
ISO 9001 and Environmental Management
System ISO 14001 certifications.

Distributed by:



SANYO Electric Co., Ltd.
www.sanyosecurity.com

©2005 SANYO Printed in Japan '05.6.MA.

SMS000